

# Keeping Your Livestock Safe



Mountain lions are calm, quiet and elusive. An opportunistic hunter, mountain lions eat prey that is familiar and easily available. They hunt alone from dusk to dawn, taking their prey – primarily – from behind. A mountain lion may kill a deer every one to four weeks. They often drag their kill to another area and then cover it with dry leaves, grass or pine needles, to protect it from other animals and to reduce spoilage. A lion can be expected to return to the kill several times to feed.

Mountain lions prefer areas with dense undergrowth and cover, and will leave an area where they perceive a threat. The home territories of mountain lions can cover hundreds of square miles. Although lions are solitary unless mating or accompanied by their young, their territories will often overlap those of the opposite sex, and only occasionally overlap with those of the same sex.

While many people believe that populations of mountain lions are increasing, and that fewer lions are being killed than ever before, scientific research does not confirm this.

## Lions and Livestock Losses

Unlike wild animals, most livestock do not have the skills to protect themselves. Thousands of years of breeding have made domestic animals dependent on people for protection. In the United States, livestock owners have traditionally turned to government agencies to kill wildlife which threaten livestock production. However, statistics show that even when lions are killed on the same property year after year, livestock losses continue.

Young, inexperienced lions that are more likely to prey on livestock move into vacant territories and continue the cycle of killing and being killed. Where older lions are skilled in taking deer - their preferred prey - livestock kills are less likely to occur. Some ranchers say that the best protection they have from mountain lions is an older, more experienced male lion established somewhere on the ranch.

Even completely eliminating lions from a geographic region will not prevent depredation. If there are no lions to live in the territory, other predators, particularly coyotes, will fill the space. Killing a lion for preying on livestock does not reverse or compensate the livestock loss, nor does it prevent future losses. Hundreds of taxpayer dollars are spent to kill each and every lion that is taken. The only real solution is to prevent livestock depredation by creating safe shelters for domestic animals.

## Materials List

Quantity	Item	Base Price	Total Price
<b>Lumber</b>			
5	4 x 4 x 8 PT	\$8.00	\$40.00
4	4 x 4 x 12 PT	\$13.00	\$52.00
37	2 x 4 x 8 PT	\$3.75	\$138.75
12	2 x 6 x 10 PT	\$7.50	\$90.00
16	5/4 x 3 x 8 PT	\$3.50	\$56.00
1	2 x 6 x 16 PT	\$12.00	\$12.00
3	4 x 8 sheet of T1-11 Panel	\$22.00	\$66.00
6	1 X 4 resawn trim	\$4.25	\$25.50
<b>Misc.</b>			
12	Pliers	\$3.00	\$36.00
12	Bags of 90 lb premix concrete	\$2.75	\$33.00
8	26" x 10' Galv. Roofing Panels	\$8.50	\$68.00
6	6' PT closure strips	\$2.00	\$12.00
1	62" x 50' 11.5 ga chain link fence	\$60.00	\$60.00
1	36" x 72" prefab walk in gate	\$27.00	\$27.00
2	5 lb box of 16d galv nails	\$5.00	\$10.00
6	1lb special roofing nails	\$2.00	\$12.00
	Staples		
	Gate hinges		\$10.00
	Gate latch		\$10.00
12	Simpson post base	\$3.50	\$42.00
12	Simpson post cap	\$1.75	\$21.00
4	36" Simpson Straps	\$2.25	\$9.00
2	8' drip cap	\$2.00	\$4.00
3	12" x 25' alum roll	\$13.00	\$39.00
	Misc. Expenses		\$50.00

SUBTOTAL	\$923.25
SALE TAX	\$71.55
<b>TOTAL</b>	<b>\$994.80</b>

Total Estimated Material Cost \$1,000.00

## Acknowledgements

*Our Living with Lions program is funded through grants from the Richard and Rhonda Goldman Fund, the Thelma Doelger Fund for Animals, the National Wildlife Federation, the Giles W. and Elise G. Mead Foundation, the Wendy P. McCaw Foundation, the San Francisco Foundation, the Santa Cruz Community Foundation, the Resources Legacy Fund Foundation and by the generous contributions of Mountain Lion Foundation members.*

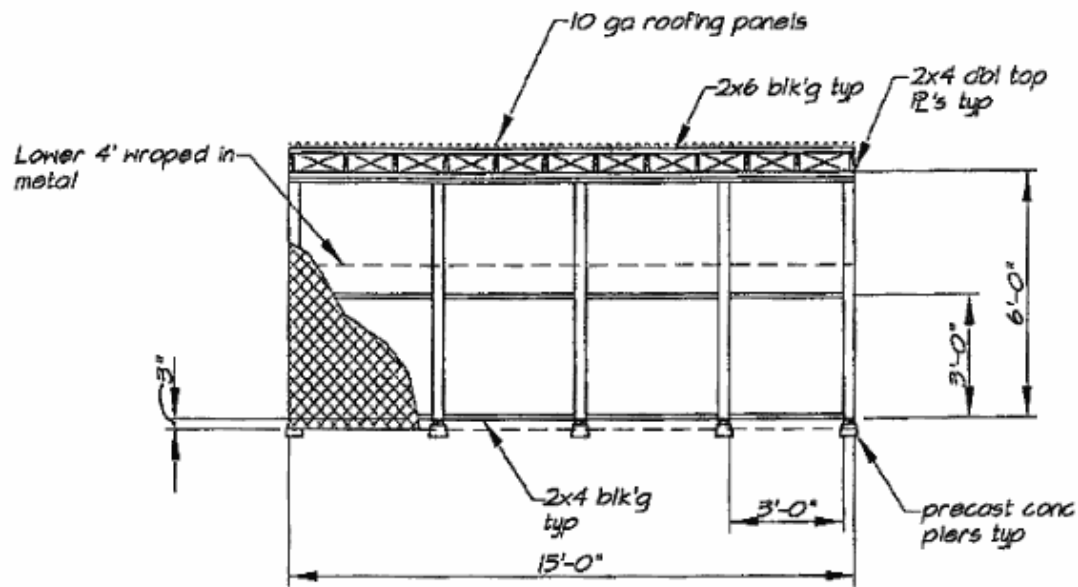
## MOUNTAIN LION FOUNDATION

DESIGNED BY THE MOUNTAIN LION FOUNDATION TO PROVIDE LIVESTOCK OWNERS AN AFFORDABLE MEANS OF PREDATOR-FRIENDLY ANIMAL HUSBANDRY

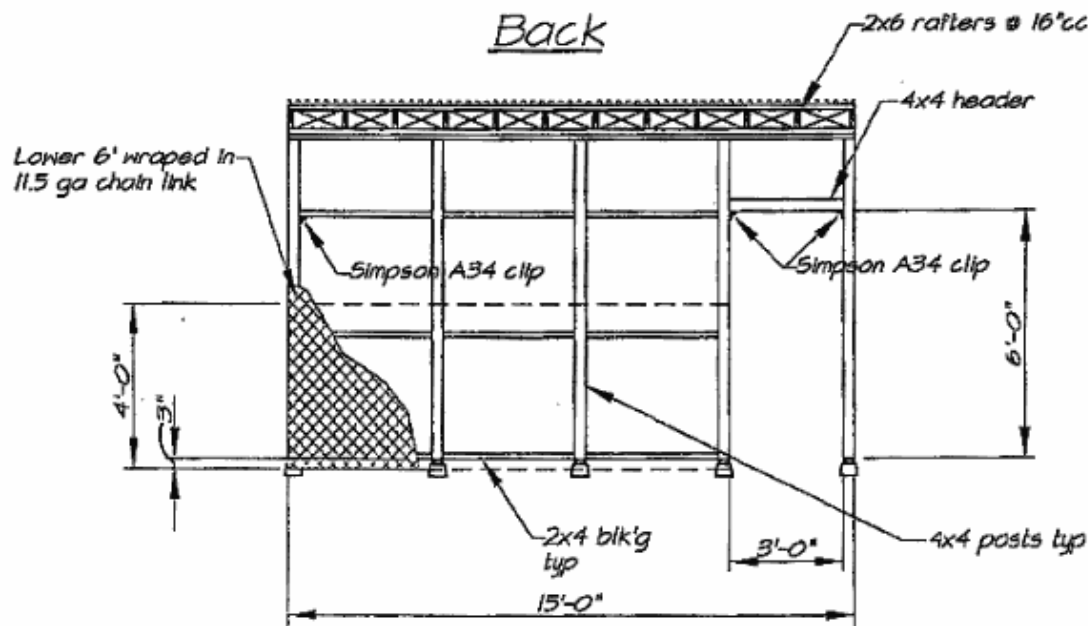
P.O. Box 1896  
Sacramento CA 95812  
(916) 442-2666  
(916) 442-2871 fax  
mhf@mountainlion.org



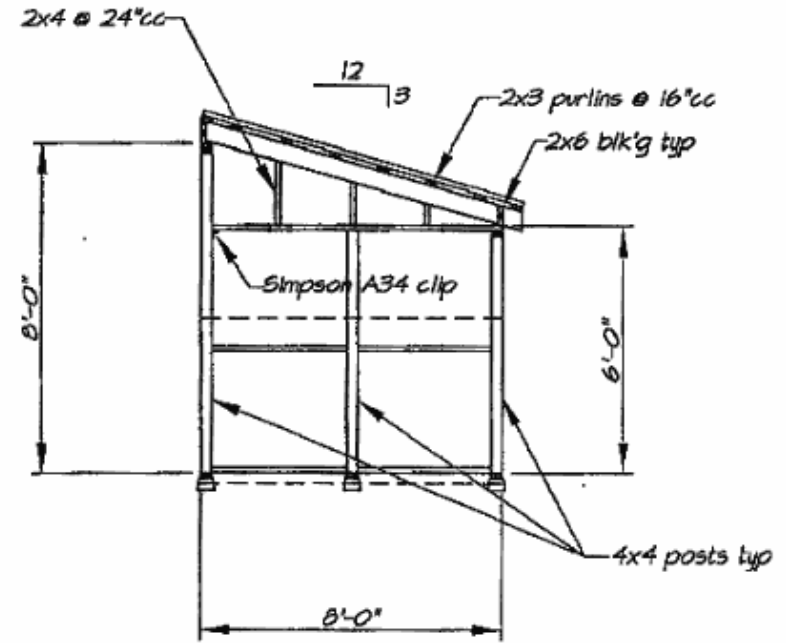
# Mountain Lion Foundation



Back



Front



Side

Typical Notes:

1. Lower 6'-0" wrapped in 11.5 ga chain link
2. Upper portion wrapped in T1-11 siding.
3. All wood pressure treated.
4. All wood below 4' wrapped in metal unless chainlink installed inside.
5. All 4x4's to have Simpson SP2 & SP5 stud plate ties.

120 Square Foot Secure Goat Enclosure